

Product Specification: MAXAM 24 - HSM24 (June 2006)

Hussey Seatway Ltd

Description

Hussey Seatway Type 'MAXAM 24' is a mobile, tiered seating unit that provides a simple to use, rugged and very flexible seating system for school halls and sports halls. Designed and manufactured in the UK, MAXAM 24 can be set alongside a larger installation of MAXAM telescopic seating or used 'stand alone' in a variety of layouts.

Each section is rolled out from it's store position and turned over into the use position. A typical set up time for 6 units is approximately 15 minutes.

MAXAM 24 meets all the necessary seating codes, with side and rear safety rails providing protection from falling.

Applications

MAXAM 24 is suitable for a range of seating applications;

- Schools
- Sport Halls
- Team Benches
- Swimming Pools
- Rental Seating

Standard Specification

Ref: HSM24

Seats	24 off - Courtside
Row Rise	245mm
Row Depth	660mm
Width	2740mm
Stored Depth	1165mm.
Stored Height	2360mm.

Ref: HSM24A (Aisle Unit)

Seats	18 off - Courtside
Row Rise	245mm
Row Depth	660mm
Width	2740mm
Stored Depth	1165mm.
Stored Height	2360mm.

Finishes

Seats	Standard Maxam colour range.
Metalwork	Satin Black EPC.
Beams	Galvanised
Decks	Grey PVC

Features

- Rolls away to store.
- Efficient storage.
- Rugged - simple to use and maintain.
- Stiff and dynamically correct under-structure.

Accessories

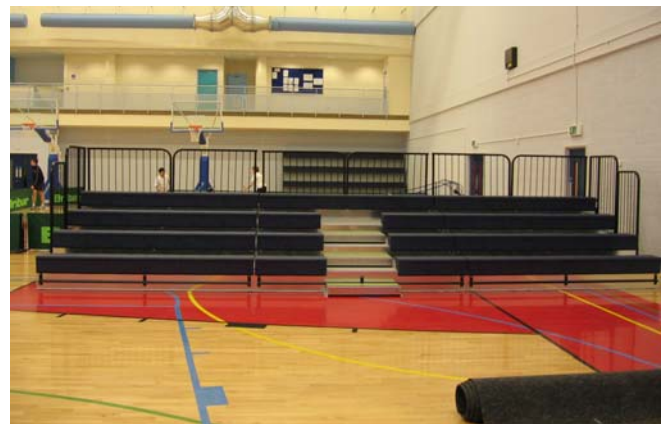
- Side safety rails.
- Intermediate steps - For HSM24A.
- Hot dipped galvanised finish available.

Technical

Please contact our Technical department for a full specification and for application drawings. We offer a free seating solutions design service and welcome the opportunity to input the design of your facility. See over for more detail of this product.



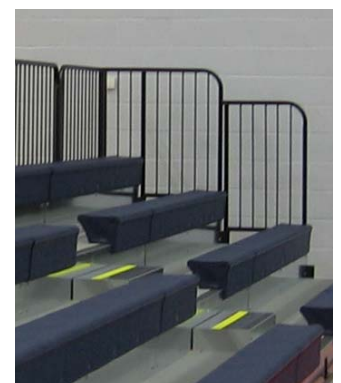
MAXAM 24 Seating System



2 x HSM24 and 1 x HSM24A = 66 seats



HSM24 in Store Position



Side Safety Rails



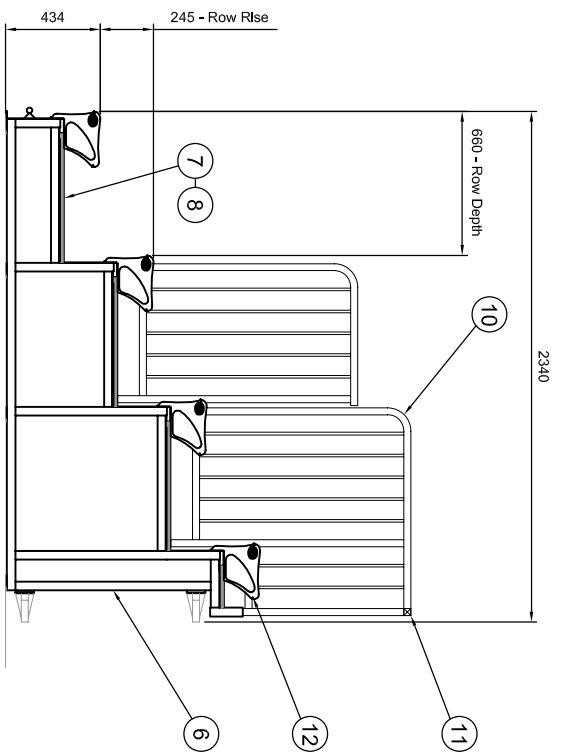
Courtside Seat Unit

Contact Details

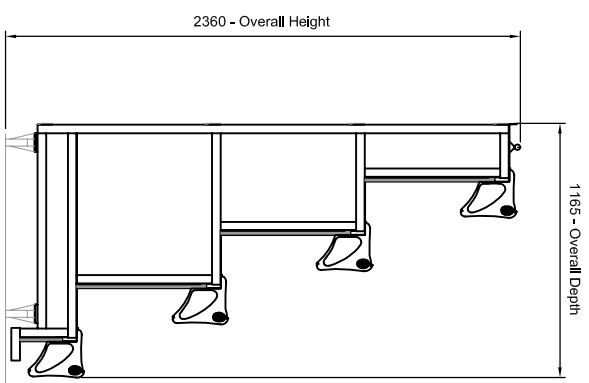
Hussey Seatway Ltd
Roman Way
Crusader Park
Warminster
Wiltshire,
BA12 8SJ
U.K.

Tel: +44 (0)1985 847200
Fax: +44 (0)1985 847300
Info@husseyseatway.com
www.husseyseatway.com

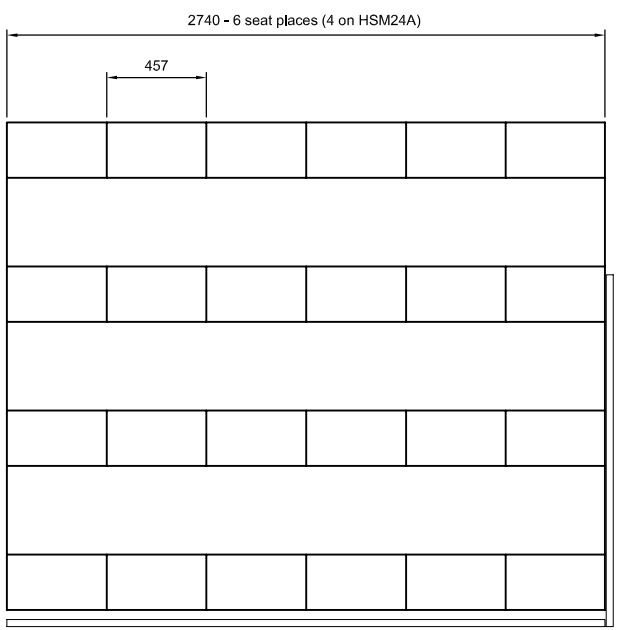
MAXAM 24 - ROLL-AWAY



SIDE ELEVATION - Maxam 24 (HSM24)



SIDE ELEVATION
(Unit in Store Position)



PLAN VIEW

SALES SPECIFICATION	
Ref: Description	HSM24 - 24 seats
1 PRODUCT IDENTIFICATION:	HSM24A - 16 seats c/w centre aisle
2 ROW RISE:	245 mm.
3 ROW DEPTH:	660 mm.
4 NUMBER OF ROWS:	4 No.
5 REAR PLATFORM:	None
6 PLATFORM STRUCTURE:	SATIN BLACK STANDARD
7 PLATFORM DECKING:	18 mm THICKNESS
8 DECKING FINISH:	Grey PVC (Polyureth)
9 INTERMEDIATE STEPS:	3 no. on HSM24A
10 SIDE RAILS:	ACCESSORY - Specify number required
11 REAR RAILS:	INCLUDED (Standard Equipment)
12 SEAT TYPE:	Maxam COURTSIDE
13 SEAT CENTRES:	457 mm. nominal
TOTAL SEAT QUANTITY:	HSM24 - 24 seats HSM24A - 16 seats

GENERAL TOLERANCE ± 1.0 mm	
THIS DRAWING IS THE PROPERTY AND COPENING OR REPRODUCTION WITHOUT WRITTEN PERMISSION IS PROHIBITED.	
RevNo	Revision note
B	
Date	2020/05
Signature	Checked

Husseyseatway

 PULL IN SEATING SYSTEMS

 Tel: +44 (0)1985 847200

 Fax: +44 (0)1985 847200

 Email: info@husseyseatway.com

Item no	Quantity	Unit/Name, designation, material, dimension etc.	Article No./reference
Maxam 24 Roll-away Seating Unit			
Date	Drawn by	Checked by	Art Sell
19/06/06	SWB	XXX	1-12
M24 - 1001			Revision Sheet
			1/1