

## Product Specification - SS010 (June 2002)

Hussey Seatway Ltd

### ARTS Chair

A new fixed auditorium chair with an interesting armrest feature and correctly shaped lumbar support foam that provides good posture and comfort. The ARTS chair is extremely robust and easy to maintain.



#### Applications

Suitable for small to medium sized theatres, schools and corporate facilities.

#### Features

- 500mm, 520mm & 540mm seat centres.
- Tread and riser mountings.
- A silent tipping mechanism, an essential feature for theatres.
- Weight activated tipping with a fully enclosed stop mechanism that cannot trap fingers or clothing.
- Several 'bolt-on' options that allow for easy customisation of the chair.
- Suitable for straight and curved row installations.

#### Finishes

Fabric: Bute Fabrics 'Elgin' and Interface 'Mainline Plus' are standard and we also work to customers own requirement.  
 Metalwork: Satin black, medium texture, e.p.c.  
 Woodwork: Clear, satin lacquer.  
 Armrests: Black satin or clear satin lacquer.

#### Technical

For all technical details, please see the reverse side of this spec. sheet.



Black



Beech

The ARTS 'knife handle' style armrest detail is available with a satin black or lacquered beech wood finish.

#### Options



Seat Numbers.



Aisle Letters.



Aisle Light (LED)



End & Side Panels.



Backrest seam.



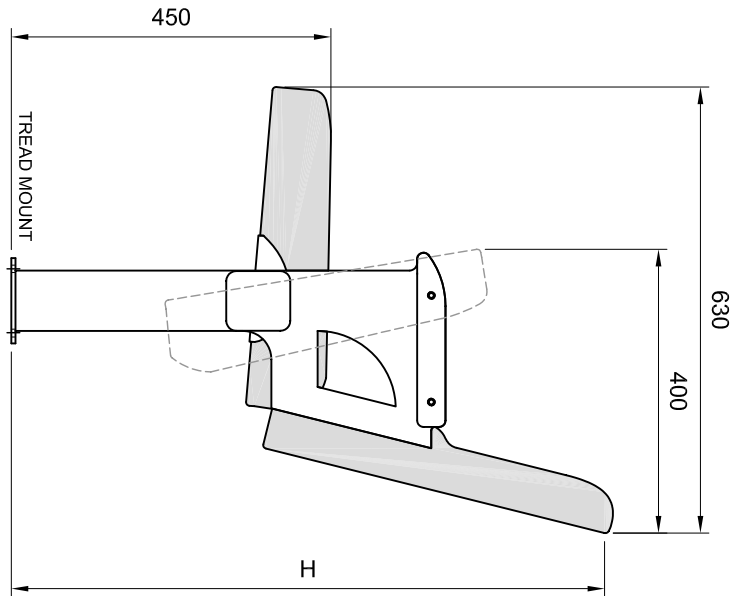
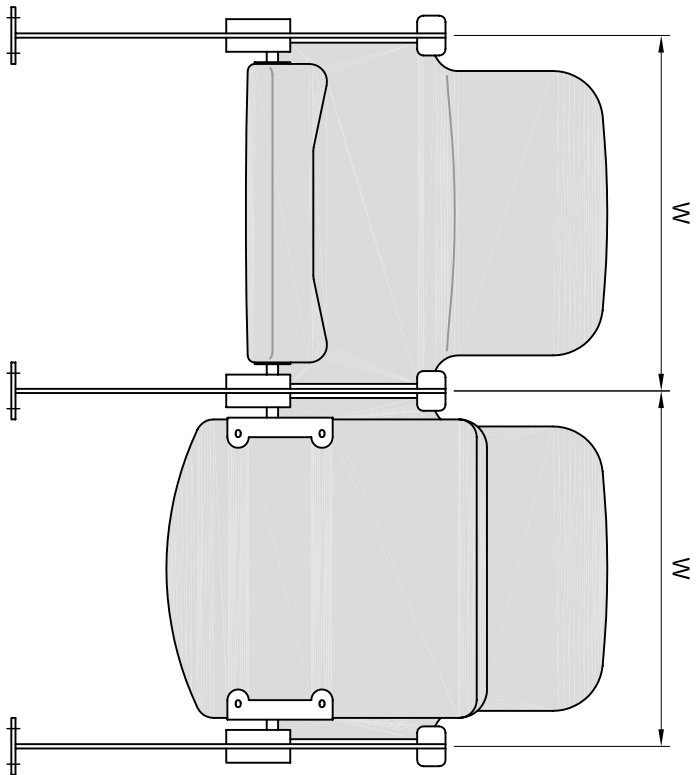
Back Panel.

Beech or maple veneered back panel in place of the standard fabric type.

#### Contact Details

**Hussey Seatway Ltd**  
 Roman Way  
 Crusader Park  
 Warminster  
 Wiltshire,  
 BA12 8SJ  
 U.K.

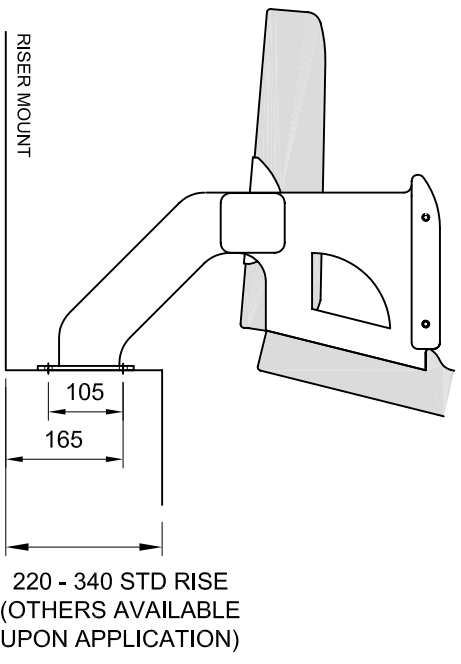
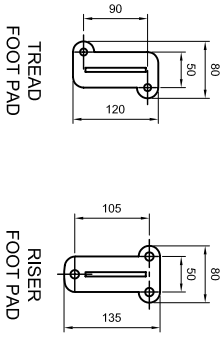
Tel: +44 (0)1985 847200  
 Fax: +44 (0)1985 847300  
 Info@husseyseatway.com



SEAT CENTRES (W)	SEAT HEIGHT (H)
500	840
520	840
540	840

**Strength & Stability**  
The chair satisfies the requirements of EN 12727:2000.

**Fire Retardency**  
The fabric and foam comply with BS 5852:1990 (Source 0, 1, and 5). Other codes or European Standards can be satisfied as required.



**Configurations**

GENERAL TOLERANCE ± 1.0 mm



**MUSSEY** **Musseyseatway**  
PUBLIC SEATING SYSTEMS

THIS DRAWING IS THE PROPERTY AND NOT BE LOANED, REPRODUCED, COPIED OR REPRODUCED WITHOUT WRITTEN PERMISSIONS IS PROHIBITED. © 2002

Tel: +44 (0)1985 847200  
Fax: +44 (0)1985 847300  
Email: info@musseyseatway.com

Item/Ref	Quantity	Title/Name, designation, material, dimension etc	Article No./Reference
<b>PRODUCT SPECIFICATION LAYOUT</b>			
<b>ARTS CHAIR</b>			
<b>SS010</b>			

Date	27/06/02	Drawn by	JCE	Checked by	XXX	A2 Scale	1:5
Rev.	SS010-1000	Rev.	A	Rev.	A	Sheet	1/1

RevNo	Revision note	Date	Signature	Checked
1				